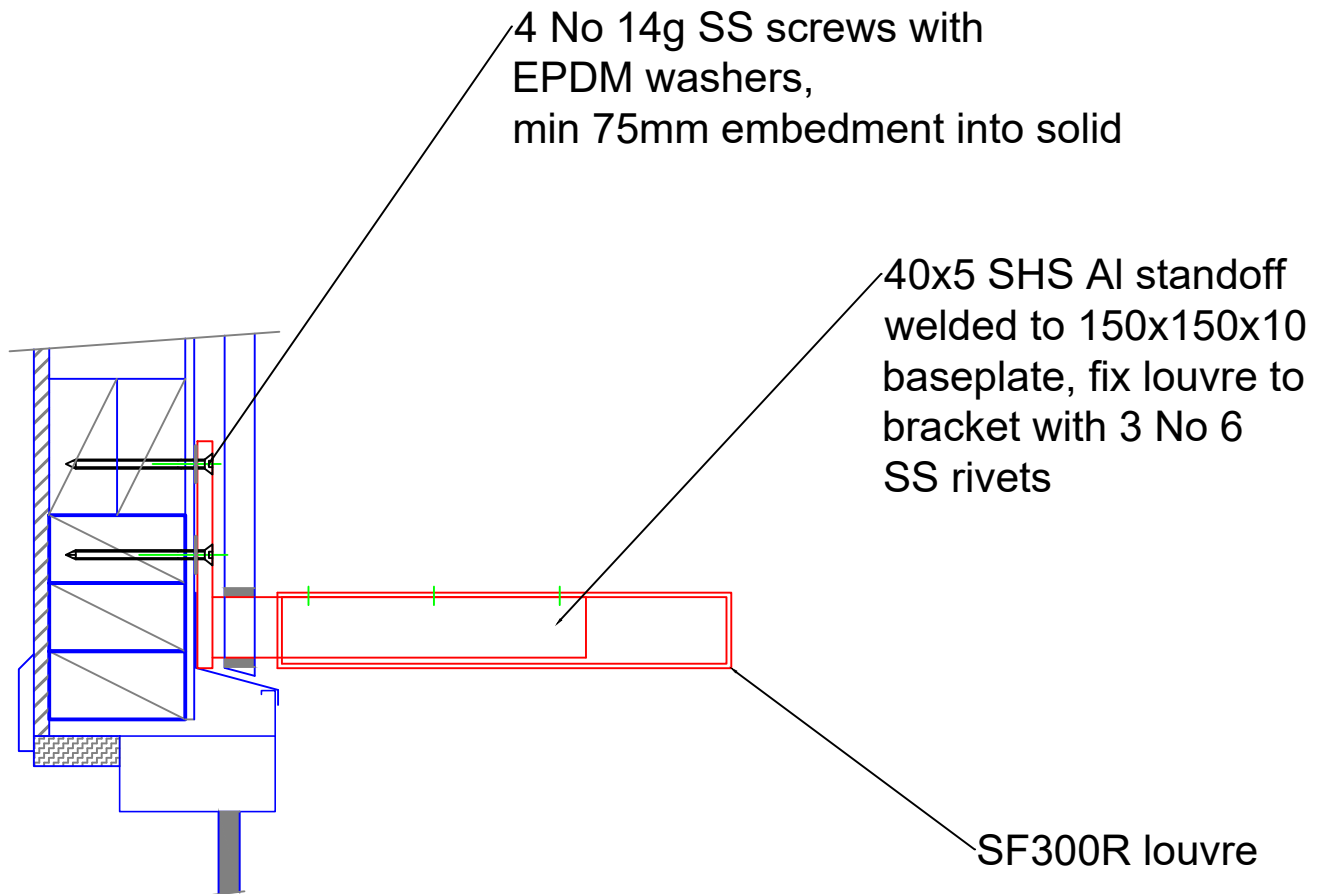


Skyfoil SF Louvre System- Wall Bracket

A- Timber-Side Fix, Cavity SF-12
10/4/19



Notes

- 1 The project designer must ensure the design complies with the NZ Building Code, eg
 - the structure fixed to can withstand the loads imposed by the balustrade
 - the detailing at attachment points complies with Clause E2
- 2 The waterproofer, cladder or other affected trades must ensure that any fixings penetrating any membrane or weather envelope are terminated/flushed, and comply with the terms of their warranty
- 3 This design is suitable for all wind loads up to 3.0 kPa (glass option)
- 5 Maximum bracket spacing is 1200mm.