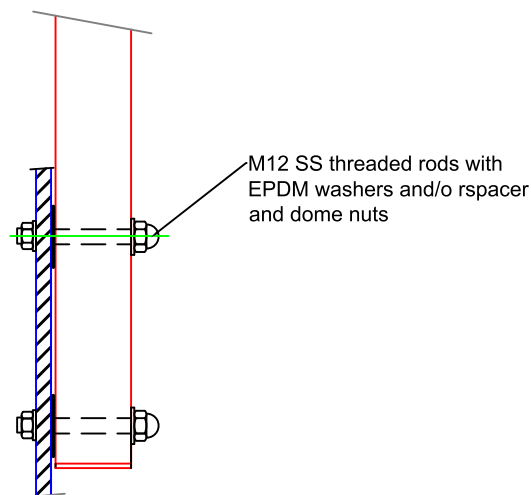


Skyrail A Series Balustrade System

A-Steel-Side Fix, Direct

A-17
10/4/19

Option: M10 Bolts



Notes

- 1 The project designer must ensure the design complies with the NZ Building Code, eg
 - the structure fixed to can withstand the loads imposed by the balustrade
 - the detailing at attachment points complies with Clause E2
- 2 The waterproofer, cladder or other affected trades must ensure that any fixings penetrating any membrane or weather envelope are terminated/flashed, and comply with the terms of their warranty
- 3 This design is suitable for occupancies A, A Other and C3
4. This design is suitable for all wind loads up to 3.0 kPa (glass option)
- 5 Maximum post spacing is 1400mm.
- 6 Maximum height is 1250mm above top of baseplate
- 7 All fixings must be stainless steel
- 8 Glass can be 6, 8 or 10mm t'ed, 4+4 or 4+5 laminated t'ed